

DS-D5024F2-AP2(O-STD)(EU)
23.8 inch FHD 100Hz IPS Monitor



- 100 Hz refresh rate, more fluid and life-like video.
- IPS technology for wide, 178° ultra-wide view screen.
- Ultra-thin device body with ultra-thin border for 3 sides.
- 8 bit LVDS FHD (1920 × 1080) display.
- 3D noise reduction.
- Low blue light design for eye care.
- Dual interface of HDMI and VGA.
- Support VESA wall mount.

▪ Specification

Display	
Screen Size	23.8 inch , 60.4 cm
Active Display Area	527.04 (H) mm × 296.46 (V) mm, 15.63 dm ²
Resolution	1920 × 1080
Backlight	E-LED
Pixel Pitch	0.2745 (H) mm × 0.2745 (V) mm
Brightness	250 cd/m ²
Viewing Angle	178° (H) / 178° (V)
Color Depth	16.78 M
Contrast Ratio	1000 : 1
Response Time	14ms
Refresh Rate	Typ. 60 Hz , Max. 100Hz
Haze	Haze 25% , 3H
Reliability	7 × 24 H
Color Gamut	72% NTSC
Interface	
Video & Audio Input	HDMI 1.4 × 1, VGA × 1
Video & Audio Output	Audio Out × 1
Data Transmission Interface	None
Control Interface	None
Power	
Power Supply	DC 12V, 2.0A
Power Consumption	≤ 24 W
Standby Consumption	≤ 0.5 W
Working Environment	
Working Temperature	0°C to 40°C (32°F to 104°F)
Working Humidity	20% to 90% RH (Non-Condensing)
Storage Temperature	-20°C to 60°C (-4°F to 140°F)
Storage Humidity	10% to 90% RH (Non-Condensing)
General	
Casing Material	Plastic
VESA	75 mm × 75 mm (4 - M4 × 6 mm)
Bezel Width	2.0 mm (top/left/right), 23.55 mm (bottom)
Product Dimensions (W × H × D)	With base: 539.7 (W) mm × 427.33 (H) mm × 185.69(D) mm 21.25 (W) inch × 16.82 (H) inch × 7.31 (D) inch Without base: 539.7 (W) mm × 327.33 (H) mm × 43.5 (D) mm 21.25 (W) inch × 12.89 (H) inch × 1.71 (D) inch
Package Dimensions (W × H × D)	611 (W) mm × 405 (H) mm × 118 (D) mm (24.06(W) × 15.94(H) × 4.65 (D)) inch
Standby Time	600s
Net Weight	2.85 ± 0.5 kg
Gross Weight	3.85 ± 0.5 kg
Packing List	Monitor × 1, Base component × 1, Power adapter (12 V, 2 A) × 1, HDMI cable (1.5 m) × 1, User manual × 1, Multilingual manual × 1

Remarks	<p>The base is included by default.</p> <p>The product appearance and parameters in this specification may vary from your actual device. Please consult our local sales staff for further information</p>
---------	---

Physical Interface

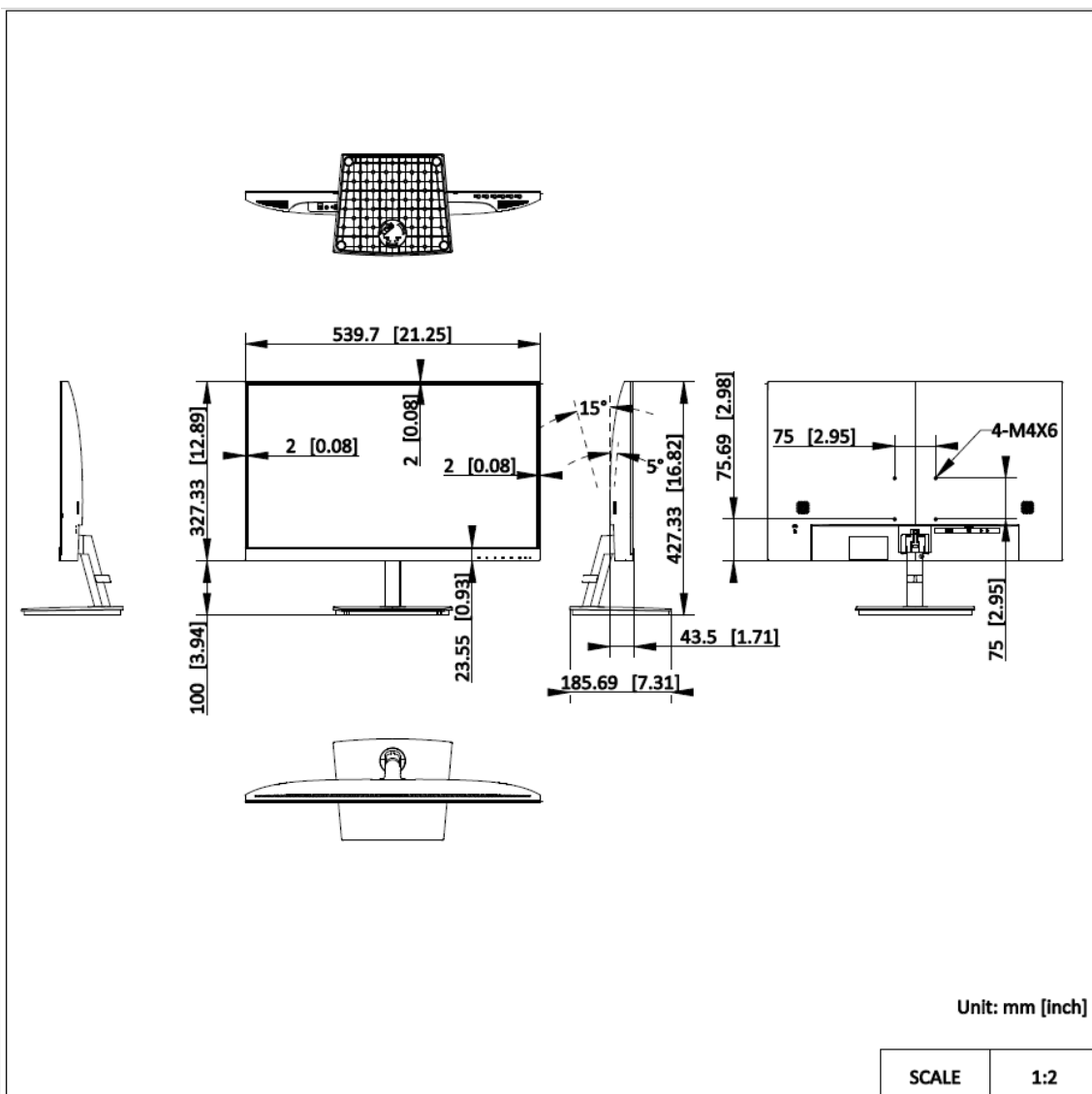
Interface	Description	Interface	Description
HDMI	HDMI 1.4 digital signal input interface	VGA	VGA analog signal input interface
Audio Out	3.5mm Audio output interface	DC	DC 12V 2.0A input interface



Available Model



DS-D5024F2-AP2(EU)

Dimension



▪ Accessory

▪ Optional

DP-D501940-1X1-Q 1-NW-Q0.1-TY/V20 0	DS-DM1940W
	

See Far, Go Further



www.hikvision.com
support@hikvision.com

